

20.2 cu. ft. Top Freezer Refrigerator

- 20.2 cu. ft. Capacity
- Reversible Door
- Premium LED Refrigerator Lights
- Humidity-Controlled Crispers
- Optional Ice Maker LK65C



COLOR AVAILABILITY

- LTCS20020S – Stainless Steel
- LTCS20020W – Smooth White
- LTCS20020B – Smooth Black

CAPACITY

Refrigerator (cu. ft.)	14.7
Freezer (cu. ft.)	5.5
Total Capacity (cu. ft.)	20.2

ENERGY

Energy Consumption (kWh / Year)	430
ENERGY STAR® Qualified	Yes

WATER & ICE SYSTEM

Ice & Water Dispenser	No
Ice System	Manual Ice Tray or Optional Ice Maker

COOLING

Compressor Type	Linear Compressor
Dual Evaporators	No
Cooling System	Standard
Multi-Air Flow™ System	Yes
Door Cooling+	No
Temperature Sensors	3
Fresh Air Filter	No

CONVENIENCE

Display Type	Membrane / Green LED
Temperature Controls	Electronic / Digital
Door Alarm	No
Child Lock	No
Auto Closing Door Hinge	No
ADA Compliant	No
Sabbath Mode	No
LoDecibel™ Quiet Operation	Yes

REFRIGERATOR

No. of Shelves	3 Full Width (2 Adjustable)
Shelf Construction	Tempered Glass
Crisper Bins	2 Humidity Crispers
Glide N' Serve™ Pantry Drawer	No
Cool Guard	No
Refrigerator Light	Ceiling LED

REFRIGERATOR DOOR

No. of Door Bins	3 (2 Full Width, 1 Covered Dairy)
Door Bin Construction	1 Piece (Clear, Diamond Pattern)

FREEZER

Freezer Type	Swing Door
No. of Shelves	1 Adjustable Glass Shelf
No. of Door Bins	2 Full Width (Clear, Diamond Pattern)
Ice Storage	Ice Maker Optional - LK65C
Freezer Light	No
Freezer Handle	Pocket Handle

SMART FEATURES

Wi-Fi Enabled	No
ThinQ®	No
SmartDiagnosis™	No

MATERIALS AND FINISHES

Hidden Hinges	No
Surface	Smooth
Fingerprint & Smudge Resistant Exterior	No
Handles	Pocket Handle

ACCESSORIES

Optional Ice Maker	LK65C
--------------------	-------

TECHNICAL SPECS

Required Power Supply	115 V, 60 Hz, 15 Amp
Plug Type	3-Prong
Power Cord Location	Back
Min. / Max. Water Pressure	20–120 psi

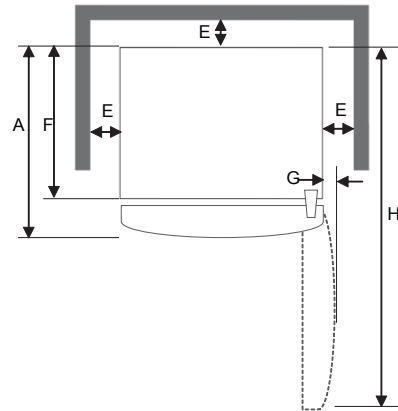
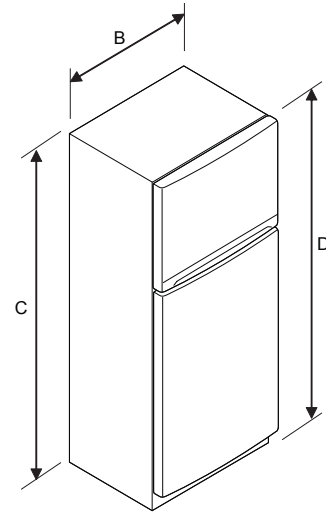
DIMENSIONS / CLEARANCES / WEIGHTS

Depth with Handles	33 3/8"
Depth without Handles	33 3/8"
Depth without Door	29"
Depth (Total with Door Open)	60"
Height to Top of Case	65 1/2"
Height to Top of Door Hinge	66 1/8"
Width	29 3/4"
Width (Door Open 90° with Handle)	31 3/4"
Width (Door Open 90° without Handle)	31 3/4"
Door Edge Clearance with Handle	2"
Door Edge Clearance without Handle	2"
Installation Clearance	Sides 2", Top 2", Back 2"
Approx. Weight (Product / Carton)	202 lbs. / 226 lbs.
Carton Dimensions (W x H x D)	31 7/8" x 69 3/8" x 38 1/4"

LIMITED WARRANTY

Parts & Labor	1 Year
Sealed System (Parts & Labor)	5 Years
Compressor (Parts & Labor)	5 Years
Linear / Inverter Compressor (Parts Only)	10 Years

DIMENSIONS / CLEARANCES



DIMENSIONS / CLEARANCES

A	Depth	33.9" (861 mm)
B	Width	29.9" (759.5 mm)
C	Height to Top of Case	65.6" (1,666.9 mm)
D	Height to Top of Hinge	66.1" (1,679 mm)
E	Back, Top and Side Clearance	2" (50.8 mm)
F	Depth without Door	29.5" (749.5 mm)
G	Door Edge Clearance (Door Open 90°)	2" (50.8 mm)
H	Depth (Total with Door Open 90°)	60.3" (1,530.4 mm)

INSTALLATION NOTES

- The installation location chosen for the refrigerator should allow space behind the unit for connections and airflow and space in front to open the doors and drawers.
- Too small of a distance from adjacent items may result in lowered freezing capability and increased electricity consumption charges. Allow at least 31 inches (787.4 mm) in front of the refrigerator to open the doors, and at least 2 inches (50.8mm) between the back of the refrigerator and the wall.